

# BRIVA®

TASTE IT YOUR WAY

**BRIVA HAUS GmbH**

Beedstraße 54  
40468 Düsseldorf  
Deutschland

Telefon +49 211 385 39977  
Info@briva-haus.de  
briva-haus.de

# BRIVA®

BARISTA SMART



ART.NR. 87816 » BRIVA BARISTA SMART «



GEBRAUCHSANLEITUNG LESEN UND  
BEACHTEN! ANWEISUNGEN BEFOLGEN!

Model- und Zubehöränderungen vorbehalten!

DEUTSCH

ENGLISH

# ESPRESSO MACHINE

# INSTRUCTION MANUAL



**Read this manual thoroughly before using and save it for future reference**

## **IMPORTANT SAFEGUARDS**

**Before using the electrical appliance, the following basic precautions should always be followed including the following:**

1. Read all instructions.
2. Before using, check that the voltage of wall outlet corresponds to rated voltage marked on the rating plate.
3. To protect against fire, electric shock and injury to person, do not immerse cord, plug, in water or other liquid.
4. When using the coffee machine, it should be supervised. Children and dependant persons should not be allowed to approach the coffee machine.
5. Remove plug from wall outlet before cleaning and when not in use. Allow appliance cool down completely before taking off, attaching components or before cleaning.
6. If the supply cord is damaged, it must be replaced by the manufacturer, its service agent or similarly qualified persons in order to avoid a hazard; if the espresso machine fails to work normally due to failure or other reasons, return appliance to the service department of the manufacturer for examination and repair.
7. Do not use components from non-designated manufacturers which could pose hazards or potential dangers to the user.
8. Do not use the appliance outdoors.
9. Do not allow the power cord to hang on the edge of the table or touch hot surfaces.
10. Do not place the espresso machine on or near a gas tank or oven.
11. Do not use appliance for other than intended use and place it in a dry environment.
12. Fill the tank with clean cold water, do not add mineral water, milk or other liquid beverages to the tank.
13. To disconnect, remove plug from wall outlet, always hold the plug, but never pull the cord.
14. When brewing coffee, only touch the handle or knob, never touch other parts directly, because the temperature will be very high in the process.
15. Children should be supervised to ensure that they do not play with this appliance.
16. The temperature for operating or storing the coffee machine shall be higher than 0°C.
17. Do not operate the coffee machine at an environment with high temperature, strong magnetic field and moist air.

18. This appliance can be used by children aged from 8 years and above if they have been given supervision or instruction concerning use of the appliance in a safe way and if they understand the hazards involved. Cleaning and user maintenance shall not be made by children unless they are older than 8 and supervised.

19. Keep the appliance and its cord out of reach of children aged less than 8 years.

20. This appliance has a grounding plug. Make sure the household outlet you are using is properly grounded.

21. Do not let the coffee maker operate without water.

22. This appliance is intended to be used in household and similar applications such as:

----staff kitchen areas in shops, offices and other working environments;

----farm houses;

----by clients in hotels, motels and other residential type environments;

----bed and breakfast type environments.

23. Appliances can be used by persons with reduced physical, sensory or mental capabilities or lack of experience and knowledge if they have been given supervision or instruction concerning use of the appliance in a safe way and understand the hazards involved.


24. Cleaning and maintaining appliances should not be done by children without supervision.

25. Do not immerse the appliance in water.

26. Save these instructions.

## **WARNINGS**

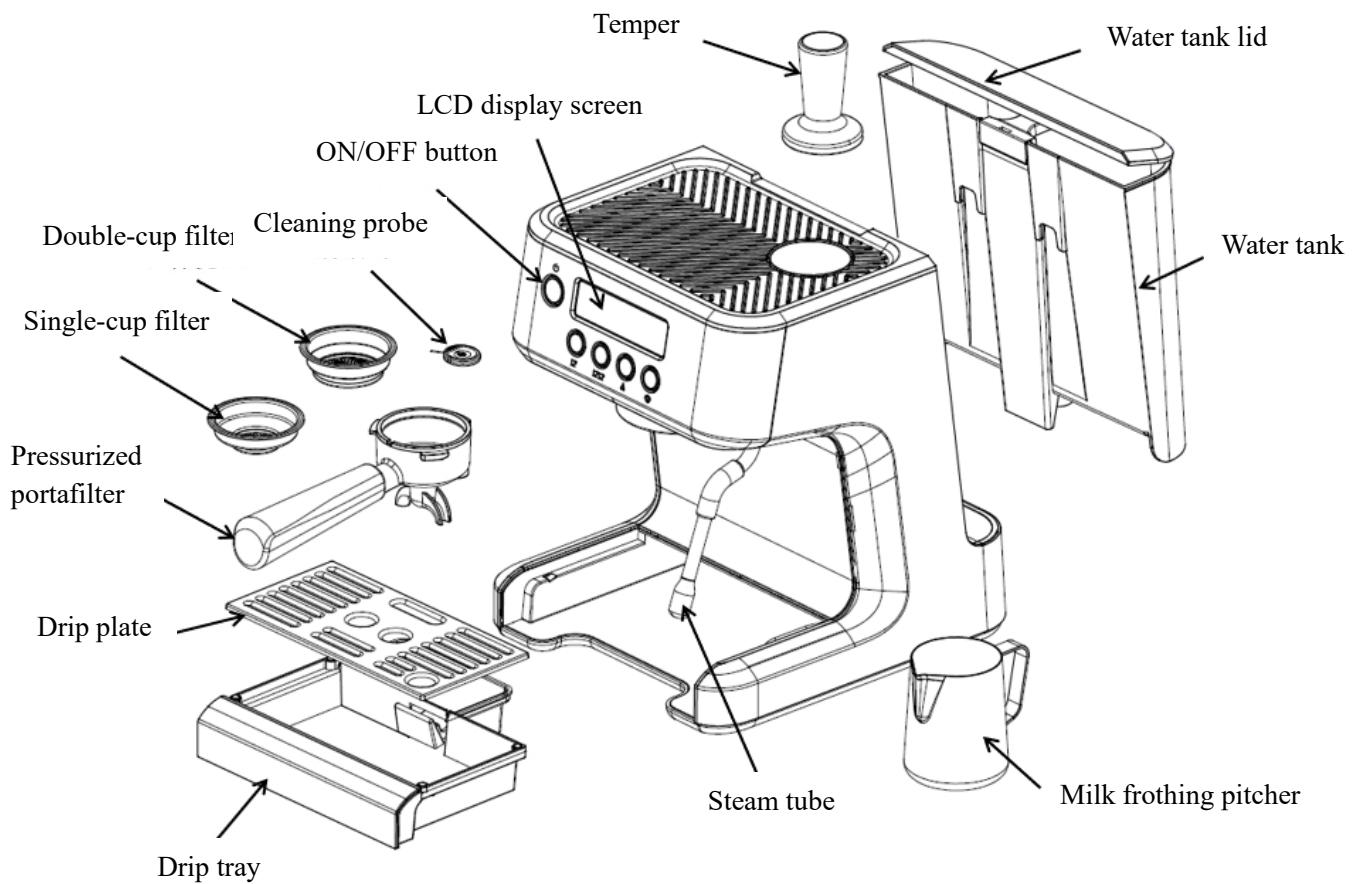
### **1. Pressure**

In order to prevent hot steam and hot water from scalding the body or causing other personal injuries as well as prevent damage to this product, do not remove the water tank or portafilter when the machine brews coffee or makes froth. Before you remove the portafilter to brew another cup of coffee, make sure that the coffee machine is in standby mode. If you want to add more water into the water tank, please turn off the machine by pressing the ON/OFF button “”, at that time, all the indicators turn off. When extracting coffee, make sure that the portafilter is turned to the specified position to avoid it getting loose due to the pressure during use, which may easily cause human injury.

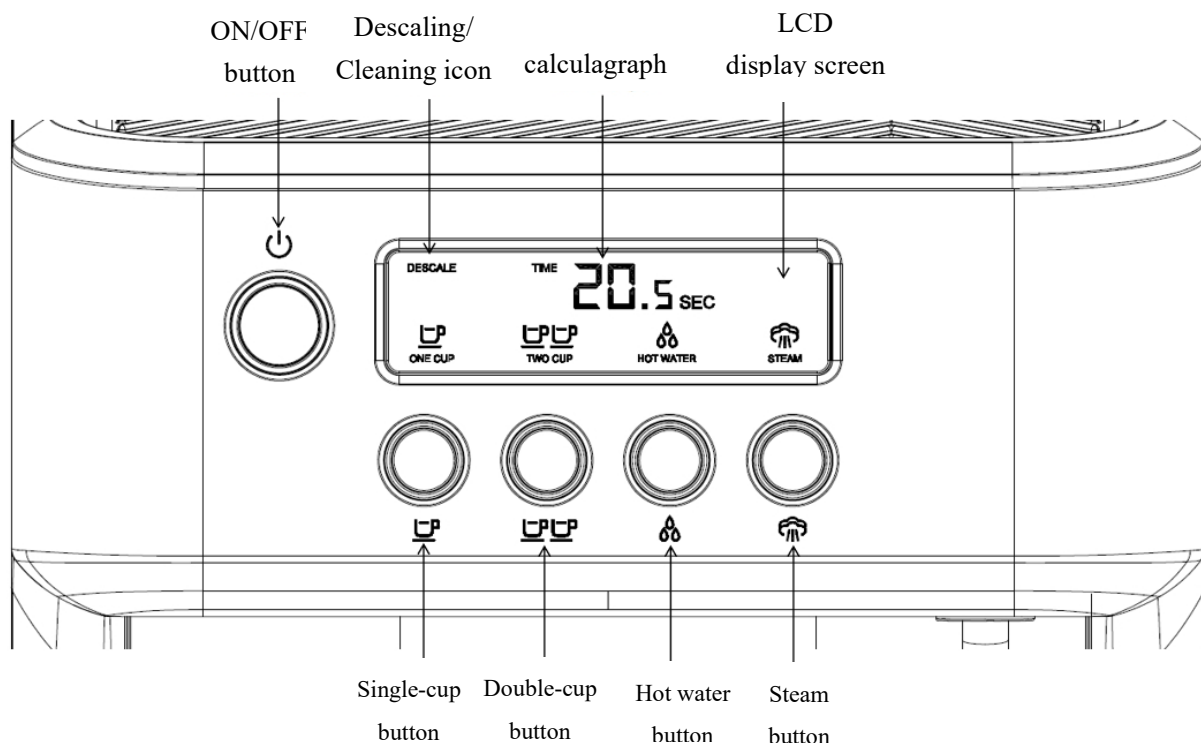
## 2. High temperature

When the machine is working, do not extend your hands and other parts of your body into the bottom of the portafilter or steam tube to prevent burns. It is not allowed to touch the steam tube with your hands or other parts of your body at any time. You can only turn the steam tube by touching the silicone sleeve that wraps the steam tube.

## KNOW YOUR ESPRESSO MACHINE



## CONTROL PANEL



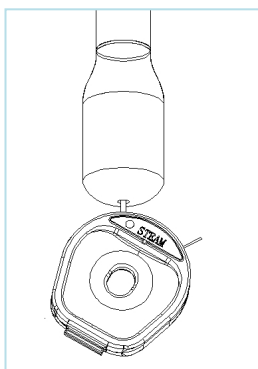
## TOOL BOX AND ACCESSORIES DESCRIPTION

This product is equipped with use aids, such as cleaning probe, single and double cup filters. It is placed on the lower right side of the machine and can be seen by removing the drip tray.

### Cleaning probe

The cleaning probe is used to clean the single and double cup filters and steam nozzles. The thick one is used to clean the steam nozzle.

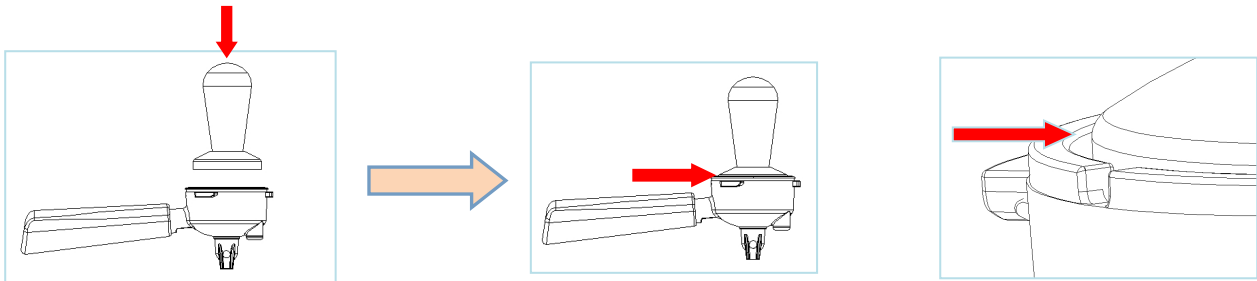
Clean the steam tube



## Tamper

Push the coffee powder downwards

When the tamper is level with portafilter, it means that the coffee powder has reached the most appropriate amount



## BEFORE THE FIRST USE

Before the first use or the machine has not been used for a long time, you should follow below steps to rinse and warm up the internal pipes of the machine.

1. Check and ensure that all accessories are complete and not damaged.
2. Remove the rubber plug at the water tank joint, fill the water tank with an appropriate amount of water, and install the water tank back into the machine.
3. Align the portafilter with portafilter bracket (no coffee powder is placed at this moment), and rotate the portafilter counterclockwise to lock it tightly (place a single-cup or double-cup filter as needed).
4. Connect the power supply and press the **ON/OFF button**, all lights will flash once, and all **button lights** will flash in a form of breathing, and the icons of single-cup, double-cup, hot water, steam on the display screen will flash (if the scale amount is less than 15L, the cleaning/descaling icon will light up once and then go out); Enter preheating mode (Note: the steam icon in display screen is off at the standby mode).
5. When preheating finished, **all indicators** light up (the descaling/cleaning icon is off if the scale amount does not reach 15L), and the machine enters into standby state. All functions of the appliance can now be used normally.
6. Press the **hot water button** and appropriate amount of hot water will flow out (Please note that the steam pipe should be aligned with the drain pan or use a cup to collect water to avoid burns).
7. Press the **single-cup** or **double-cup button** to clean the pipes in the machine. (Be careful not to extend any parts of your body closed to the portafilter and steam tube, use a cup to collect the water to avoid any scald.) (**Refer to the operation of brewing coffee**)

8. Empty the water in drip tray.
9. Thoroughly clean the detachable parts of the whole machine with warm water.

## OPERATION INSTRUCTION

### I. Brew coffee function

1. **Brew single-cup of coffee:** In the standby mode, install the single-cup filter into the portafilter, load about 13 grams of coffee powder, use the coffee tamper and press the coffee powder with a force of about 12.5Kg, then align the portafilter to the portafilter bracket, turn the portafilter counterclockwise to lock it. Put a coffee cup on the drip plate, press the **single-cup button**, the **ON/OFF button light** and the **single-cup button light** stay solid, and other indicators are off. The single cup coffee icon on the display screen remains on, and other function icons turn off (if the descaling icon reaches 15L flow rate, it remains on). The machine starts to brew single-cup of coffee, and the calculagraph on the screen starts counting in seconds. When the set coffee dose is reached (about 30ML), the pump stops working and **all indicators** illuminate, and the appliance will enter into the standby mode.

2. **Brew double-cup of coffee:** In the standby mode, install the double-cup filter into the portafilter, load about 19 grams of coffee powder, use the coffee tamper and press the coffee powder with a force of about 12.5Kg, then align the portafilter to the portafilter bracket, turn the portafilter counterclockwise to lock it. Put a coffee cup on the drip plate, press the **double-cup button**, the **ON/OFF button light** and the **double-cup button light** stay solid, and other indicators are off. The double-cup coffee icon on the display screen remains on, and other function icons turn off (if the descaling icon reaches 15L flow rate, it remains on). The machine starts to brew double-cup of coffee, and the calculagraph on the screen starts counting in seconds. When the set coffee dose is reached (about 60ML), the pump will stop working and **all indicators** illuminate and the appliance will enter into the standby mode.

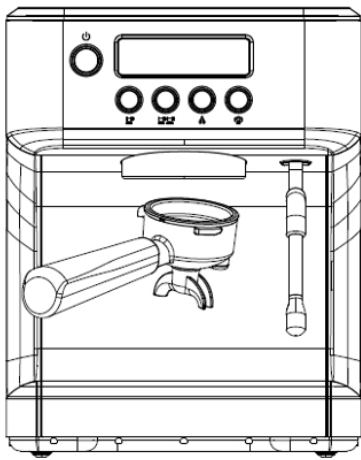
### Suggestion

It is recommend to preheat the utensils including portafilter, filters and cup before coffee extraction, so that the coffee will not be affected by cool parts. The specific method of preheating is to install a filter into the portafilter, align the portafilter to the portafilter bracket, put a cup on the drip plate and then press the **single-cup** or **double-cup button** (refer to the operation of brewing coffee). Refill powder to make coffee.

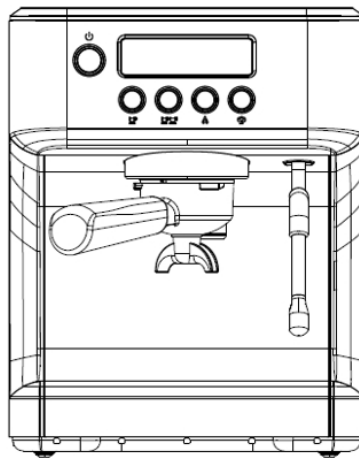
**Note:** When brewing coffee, make sure the portafilter is screwed into the correct position



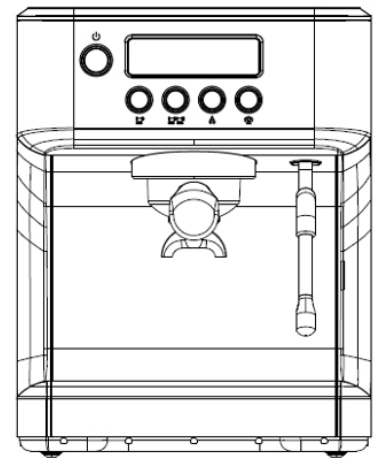
counterclockwise as shown in the picture below



No.1



No.2



No.3

### Customized setting:

You can adjust the specific coffee dose according to your needs, operation is as follows:

**Manually adjust the amount of single-cup coffee:** Press and hold the **single-cup button**, **ON/OFF button light** and **single-cup button light** remains on and other indicators are off. The single-cup coffee icon on the display screen remains on, and other function icons turn off (the descaling icon remains on if the scale amount reaches 15L), and the machine enters the setting mode of the amount of single-cup coffee. Press the single-cup button again at this time, the **single-cup button light** flashes and coffee starts to flow out. Press the **single-cup button** again when the desired amount is reached, and the machine will record the coffee dose, and the setting is finished.

(adjustable coffee amount ranges between 20ml-125ml).

**Manually adjust the amount of double-cup coffee:** Press and hold the **double-cup button**, **ON/OFF button** and **double-cup button light** stay solid and other indicators are off. The double-cup coffee icon on the display screen remains on, and other function icons turn off (the descaling icon remains on if the scale amount reaches 15L), and the machine enters the setting mode of the amount of double-cup coffee. Press the double-cup button again at this time, the **double-cup button light** flashes and coffee starts to flow out. Press the **double-cup button** again when the desired amount is reached, and the machine will record the coffee dose, and the setting is finished.

(adjustable coffee amount ranges between 40ml-250ml).

## II. Steam function:

1. In standby mode, press the **steam button** gently, the heating boiler starts to preheat, the **ON/OFF button light** remains on, the **steam button light** flashes like breathing, other indicators extinguish. The **steam icon** on the display screen flashes, and other function icons turn off (the descaling icon remains on if the scale amount reaches 15L);
2. When the temperature reaches the set value, the **ON/OFF button light** and the **steam button light** stay solid. The **steam icon** on the display screen remains on, and other function icons turn off (the descaling icon remains on if the scale amount reaches 15L);
3. Press **steam button** gently to let the machine to steam, the **ON/OFF button light** stays solid, and the **steam button light** flashes. The **steam icon** on the display screen remains on, and other function icons turn off (the descaling icon remains on if the scale amount reaches 15L);
4. To pause the steam function, press the **steam button** during steaming. Then the **ON/OFF button light** and the **steam button light** stays solid. The steam icon on the display screen remains on, and other function icons turn off (the descaling icon remains on if the scale amount reaches 15L); If the **steam button** is pressed again, the steaming will be resumed;
5. If you need to exit the steaming mode, please press and hold the **steam button** to let the machine return to standby state.

### Notes:

1. The steam function will generate high-temperature steam, please pay attention to avoid scald when using it.
2. The maximum working time of a single steam function is 3 minutes;
3. To ensure a good frothing effect, make the steam run for 3-5 seconds, and then press the **steam button**. After pausing the steam function, extend the steam tube into the milk, and press the **steam button** to froth the milk.

## III. Hot water function

In standby mode, press the **hot water button** gently, the **ON/OFF button light** and **hot water button light** are always on, the single-cup, double-cup and steam indicator are off. The hot water icon on the display screen remains on, and other function icons turn off (the descaling icon remains on if the scale amount reaches 15L), and the hot water function is started. Press the **hot water button** again to exit hot

water mode, and the machine returns to standby state.

**Note:**

1. The hot water function will generate high temperature water, please prepare a container and place it under the steam tube outlet to avoid burns.
2. The maximum working time of a single hot water function is 1 minutes.

#### **IV. Customized setting for coffee-extracting temperature**

This machine has PID control function, which can monitor the heating boiler to heat hot water, so that the coffee is extracted at a temperature of 92°C. You can adjust the extraction temperature of the coffee from 92-96°C, increasing by 2°C each time to meet different taste requirements.

-The higher the temperature, the bitterness and the acidity will decrease.

-The lower the temperature, the bitterness and the acidity will increase.

**Enter to customizing extraction temperature mode:**

1. Press and hold the **ON/OFF button** for 3 seconds, the **ON/OFF button light** flashes, the button light corresponding to the current temperature is always on, and all functional icons on the display screen are off (the descaling icon remains on if the scale amount reaches 15L), and the calculagraph display the currently set temperature and the the coffee machine enters the customized setting mode, and the operation is as follows:

Press the **single-cup button**, the **single-cup button light** is always on, the extraction temperature is set at 90°C;

Press the **double-cup button**, the **double-cup button light** is always on, the extraction temperature is set at 92°C;

Press the **hot water button**, the **hot water button light** is always on, the extraction temperature is set at 94°C;

Press the **steam button**, the **steam button light** is always on, the extraction temperature is set at 96°C;

2. After setting the extraction temperature, press the **ON/OFF button** to save the current settings, and the machine returns to standby state.

Note: The default extraction temperature of the machine is 92°C.

## V. Water shortage reminder

When the water tank is short of water, a “Beep” sound can be heard, the ON/OFF indicator stays solid, single-cup/double-cup indicator, steam indicator and hot water indicator will flash at the same time, and all functional icons on the display screen are off (the descaling icon remains on if the scale amount reaches 15L) and the pump stops working to remind the user.

### Note:

1. The above prompt will also appear when using finer coffee powder that prevents coffee from flowing out;
2. If there is not any operation after the reminder appears 1 minute or press any key, the machine will enter standby state;

## VI. Automatic shutdown

If the machine does not operate within 20 minutes in standby mode, it will automatically enter the shutdown state.

## VII. Restore to factory settings

In the standby mode, press and hold the **ON/OFF button** and **hot water button** for over 3 seconds, **all the indicators** will flash once together, and a “Beep” sound can be heard, and the machine will restore to factory settings and go back to standby mode.

Note: Factory reset do not clear the descaling count. The descaling count can be cleared only after the descaling function is completed.

## DESCALING

This product has a descaling reminder: when the whole machine water consumption reaches 15L, the machine reminds of descaling, all button lights flashed 3 times and a “Beep” sounds 3 times, and the **cleaning/descaling indicator** stays solid, reminding user to carry out descaling.

### Descaling instructions

It is recommended to perform descaling every 4-6 months.

Descaling can be selected:

- A. Coffee machine descaling tablets

B. Liquid descaler

C. White vinegar and warm water

### Descaling cycle

The descaling cycle takes about 8 minutes.

#### Note:

**Please complete the following descaling preparations before running the descaling program;**

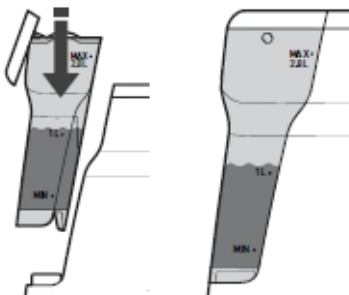
**Add the solution to the water tank (choose one of the following three methods)**

A. Fill the water tank with 1 liter of water. Add the descaling tablets and wait for the descaling tablets to dissolve;

B. Add half a cup of liquid descaling agent into the water tank, then add 1 liter warm water to allow the solution to mix thoroughly;

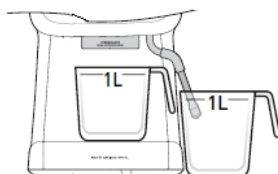
C. Add 1.5 scoops of white vinegar into the water tank, then add 1 liter warm water to allow the solution to mix thoroughly;

### Insert the water tank into place



### Place a container

Place a 1 liter container under the brewing head and another 1 liter container under the steam tube.



**After completing the above steps, the descaling procedure can be started as follows:**

In standby mode, press and hold **double-cup button** and **steam button** for above 3 seconds to enter the descaling mode, the **ON/OFF button** is always on, the **double-cup button light** and **steam button light** flash and other indicators extinguish. Only the “DESCALE” icon is showed on the display screen and the pump starts to work.

When descaling, the hot water first flows out from the brewer head and lasts about two minutes. Then it flows out of the steam pipe for about two minutes; Then it flows out of the boiler head and it lasts about two minutes; Finally, it flows out of the steam pipe for about two minutes, and the whole descaling process takes about 8 minutes. After the descaling is completed, the machine is automatically returned to the standby mode and the descaling count is cleared.

During the descaling procedure, you can press the **double-cup button** or **steam button** to exit the descaling mode.

## **CLEANING AND MAINTENANCE**

**WARNING:** Please unplug before cleaning to allow the coffee machine to cool down sufficiently to prevent scalding. Do not immerse the coffee machine or the power cord plug in water or other liquids to avoid danger.

### **1. Clean the whole machine**

(1) After each use, put all detachable parts into water for cleaning, add cleaning liquid if necessary, and then rinse with clean water.

(2) Often use a moisture-proof sponge to scrub the external surface of the coffee machine to remove dirt.

**Note:** Do not use alcohol or detergent, and do not immerse the machine in water for cleaning.

(3) Turn clockwise to remove the metal funnel to remove the coffee grounds, then you can use a detergent to clean the funnel and metal filter accessories, but you must rinse them with clean water after.

(4) After cleaning all the detachable parts, wipe all parts to dry.

**Note:** The detachable water tank and the metal funnel cannot be washed in the dishwasher.

## TROUBLESHOOTING

Malfunction	Reason	Solution
No indication	Check that the plug is in place and power button is pressed	Insert the power plug, make sure you press the power button
There are water marks at the bottom of the machine	The water tank or the water tray is not installed in place/The drip tray is full	Make sure that the water tank and the drip tray are installed in place, and the drip tray is empty. If the issue is not solved, please don't disassemble the machine on your own, but send it to local authorized maintenance center for reparation
No coffee comes out from portafilter, or coffee does not come out from portafilter smoothly, or the portafilter cannot be installed in portafilter bracket properly	Excessive amount of coffee powder, too fine coffee powder or excessive pressure	The amount of powder should not exceed the standard. Adjust the grinder level of the grinder appropriately until it is suitable. It should not be pressed repeatedly with excessive force when pressing the powder
Coffee without crema	The coffee beans are damp or the coffee powder is too coarse	Choose fresh coffee beans and powder with moderate grinding thickness to make coffee
No steam	The steam function is not preheated; the steam nozzle is blocked	The machine can only produce steam after machine is preheated in steam mode; the machine needs to be descaled and use a cleaning needle to clean the steam nozzle
The machine can not make coffee or hot water immediately after the steam comes out and the machine will pump water	After steaming is completed, the pressure needs to be released to reduce the temperature. At this time, other	It takes 20-30s to release the pressure and cool down. After the pressure release and cooling down process, the indicators on the control panel

automatically	operations cannot be performed. The water pumping is to cool down the heating element quickly	displays properly, you can brew coffee and hot water
---------------	--	---

**If you do not find the cause of the problem, please do not disassemble the machine by yourself and contact your local maintenance agency.**

## ENVIRONMENTAL PROTECTION



You can help protect the environment!

Strictly abide by the regulations: Please put the discarded electrical equipment into the corresponding waste station for disposal.





# ESPRESSOMASCHINE

## ANLEITUNG



Lesen Sie dieses Handbuch gründlich durch, bevor Sie es verwenden und speichern Sie es für zukünftige Referenzen

## **WICHTIGE SICHERUNGEN**

**Vor der Verwendung des Elektrogeräts sollten immer die folgenden grundlegenden Vorsichtsmaßnahmen beachtet werden:**

1. Lesen Sie alle Anweisungen.
2. Bevor Sie verwenden, überprüfen Sie, ob die Spannung der Steckdose der Nennspannung entspricht, die auf dem Typenschild markiert ist.
3. Zum Schutz vor Feuer, Stromschlag und Verletzungen der Person, tauchen Sie Kabel, Stecker, Wasser oder andere Flüssigkeit nicht ein.
4. Bei Verwendung der Kaffeemaschine sollte diese überwacht werden. Kinder und unterhaltsberechtigte Personen sollten sich der Kaffeemaschine nicht nähern dürfen.
5. Entfernen Sie den Stecker vor der Reinigung und bei Nichtgebrauch aus der Steckdose. Lassen Sie das Gerät vollständig abkühlen, bevor Sie es ausziehen, Komponenten anbringen oder vor der Reinigung reinigen.
6. Wenn das Netzkabel beschädigt ist, muss es vom Hersteller, seinem Servicemitarbeiter oder ähnlich qualifizierten Personen ausgetauscht werden, um eine Gefahr zu vermeiden; Wenn die Espressomaschine aufgrund eines Ausfalls oder aus anderen Gründen nicht normal funktioniert, senden Sie das Gerät zur Prüfung und Reparatur an die Serviceabteilung des Herstellers zurück.
7. Verwenden Sie keine Komponenten von nicht benannten Herstellern, die Gefahren oder potenzielle Gefahren für den Benutzer darstellen könnten.
8. Verwenden Sie das Gerät nicht im Freien.
9. Lassen Sie das Netzkabel nicht an der Tischkante hängen oder heiße Oberflächen berühren.
10. Stellen Sie die Espressomaschine nicht auf oder in der Nähe eines Tanks oder Backofens.
11. Verwenden Sie das Gerät nur für den vorgesehenen Gebrauch und stellen Sie es in eine trockene Umgebung.
12. Füllen Sie den Tank mit sauberem kaltem Wasser, fügen Sie kein Mineralwasser, Milch oder andere flüssige Getränke zum Tank hinzu.
13. Um die Verbindung zu trennen, entfernen Sie den Stecker aus der Steckdose, halten Sie den Stecker immer fest, ziehen Sie aber niemals am Kabel.
14. Wenn Sie Kaffee brauen, berühren Sie nur den Griff oder Knopf, berühren Sie niemals andere Teile direkt, da die Temperatur während des Prozesses sehr hoch ist.


15. Kinder sollten beaufsichtigt werden, um sicherzustellen, dass sie nicht mit diesem Gerät spielen.
16. Die Temperatur für das Betreiben oder Speichern der Kaffeemaschine ist höher als 0°C.
17. Bedienen Sie die Kaffeemaschine nicht in einer Umgebung mit hoher Temperatur, starkem Magnetfeld und feuchter Luft.
18. Dieses Gerät kann von Kindern ab acht Jahren verwendet werden, wenn sie Aufsicht oder Anweisungen zur sicheren Verwendung des Geräts erhalten haben und wenn sie die damit verbundenen Gefahren verstehen. Reinigung und Benutzerwartung dürfen nicht von Kindern durchgeführt werden, es sei denn, sie sind älter als 8 und sind beaufsichtigt.
19. Bewahren Sie das Gerät und das Kabel außerhalb der Reichweite von Kindern unter acht Jahren auf.
20. Dieses Gerät verfügt über einen Erdungsstecker. Vergewissern Sie sich, dass die von Ihnen verwendete Haushaltssteckdose ordnungsgemäß geerdet ist.
21. Lassen Sie die Kaffeemaschine nicht ohne Wasser arbeiten.
22. Dieses Gerät ist für den Gebrauch im Haushalt und ähnliche Anwendungen bestimmt, wie z.B.:
  - Personal Küchenbereiche in Geschäften, Büros und anderen Arbeitsumgebungen;
  - Bauernhäuser;
  - durch Kunden in Hotels, Motels und anderen Wohntypumgebungen;
  - Bed and Breakfast Art Umgebungen.
23. Geräte können von Personen mit eingeschränkten körperlichen, sensorischen oder geistigen Fähigkeiten oder mangelnden Erfahrungen und Kenntnissen verwendet werden, wenn sie Aufsicht oder Anweisungen zur sicheren Verwendung des Geräts erhalten haben und die damit verbundenen Gefahren verstehen.
24. Die Reinigung und Wartung der Geräte sollte nicht von Kindern ohne Aufsicht durchgeführt werden.
25. Tauchen Sie das Gerät nicht in Wasser ein.

Speichern Sie diese Anleitung

## **WARNUNGEN**

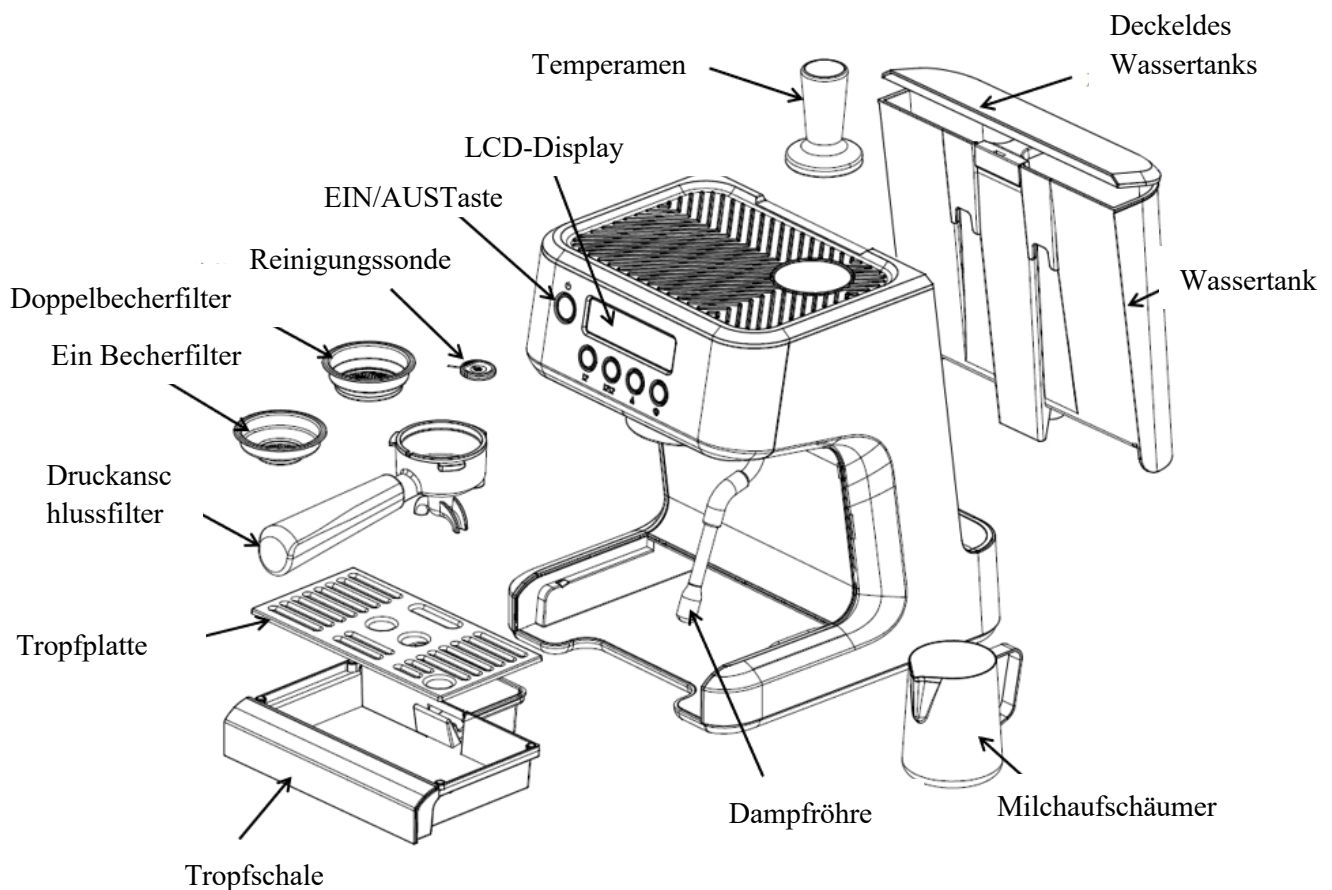
### **1. Druck**

Um zu verhindern, dass heißer Dampf und heißes Wasser den Körper verbrennen oder andere Körperverletzungen verursachen sowie Schäden an diesem Produkt vermeiden, entfernen Sie den

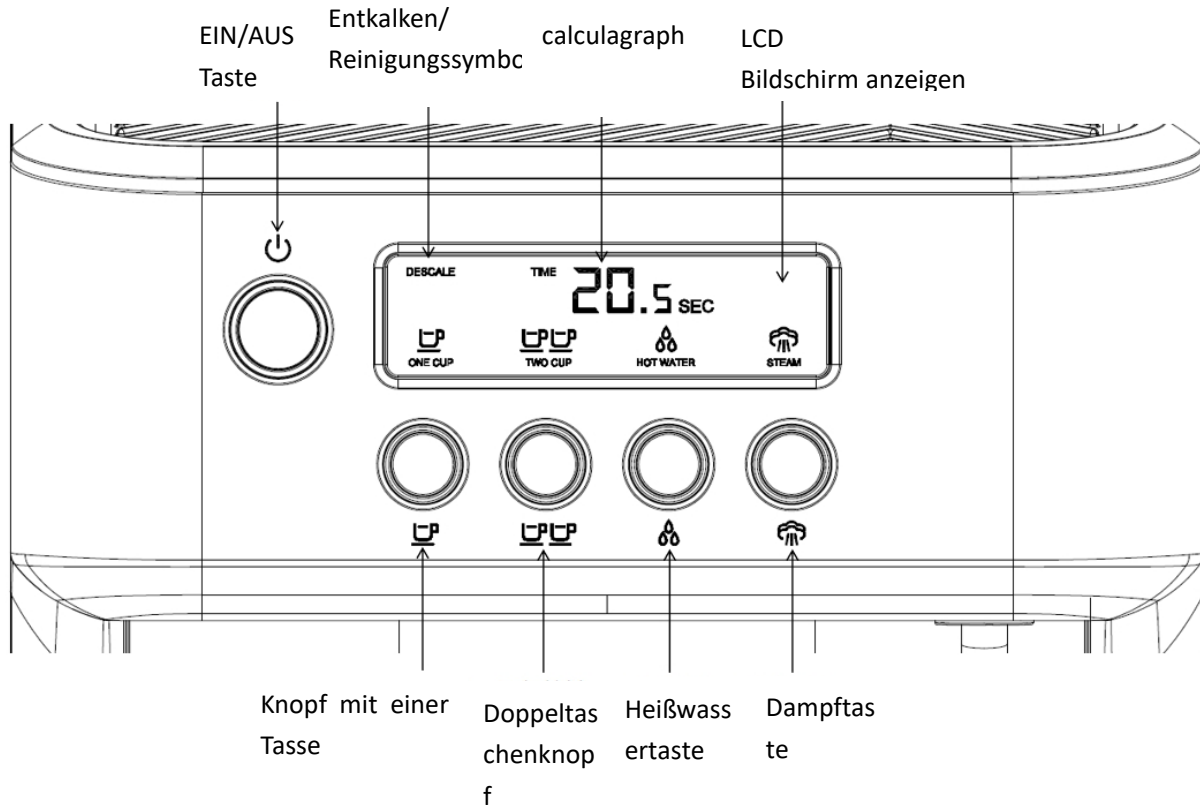
Wassertank oder den Portafilter nicht, wenn die Maschine Kaffee braut oder Schaum macht. Bevor Sie den Portafilter entfernen, um eine weitere Tasse Kaffee zu brauen, stellen Sie sicher, dass sich die Kaffeemaschine im Standby-Modus befindet. Wenn Sie mehr Wasser in den Wassertank geben möchten, schalten Sie das Gerät bitte durch Drücken der ON/OFF Taste aus “” Wenn Sie Kaffee extrahieren, stellen Sie sicher, dass der Portafilter in die angegebene Position gedreht ist, um zu vermeiden, dass er sich aufgrund des Drucks während des Gebrauchs löst, der leicht zu Verletzungen führen kann.

## 2. Hochtemperatur

Wenn die Maschine funktioniert, strecken Sie Ihre Hände und andere Körperteile nicht in den Boden des Portafilters oder Dampfrohrs aus, um Verbrennungen zu vermeiden. Es ist nicht erlaubt, den Dampfschlauch mit den Händen oder anderen Körperteilen zu berühren. Sie können den Dampfschlauch nur drehen, indem Sie die Silikonhülse berühren, die den Dampfschlauch umschließt.



## KONTROLLPANEL



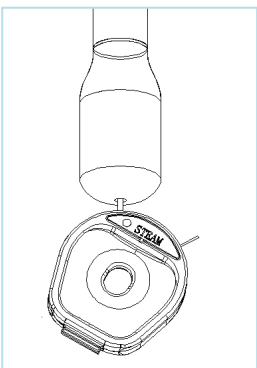
## TOOL BOX UND ZUBEHÖR BESCHREIBUNG

Dieses Produkt ist mit Hilfsmitteln wie Reinigungssonde, Ein- und Doppelbecher-Filter ausgestattet. Sie befindet sich auf der unteren rechten Seite der Maschine und kann durch Entfernen der Tropfschale gesehen werden.

### Reinigungssonde

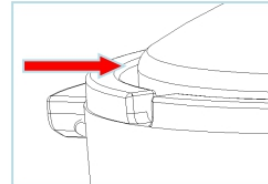
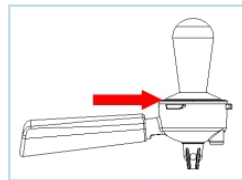
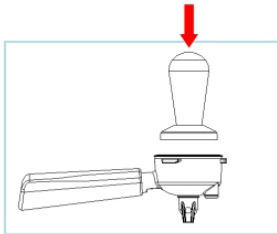
Die Reinigungssonde dient zur Reinigung der Ein- und Doppelbecher Filter und Dampfdufen. Die dicke wird verwendet, um die Dampfdufe zu reinigen.

Reinigen Sie den Dampfschlauch



## Manipulation

Drücken Sie das Kaffeepulver nach unten



Wenn der Tamper mit Portafilter waagrecht ist, bedeutet dies, dass das Kaffeepulver die am besten geeignete Menge erreicht hat

## VOR DER ERSTEN ANWENDUNG BEACHTEN

Bevor Sie die Maschine zum ersten Mal benutzen oder lange Zeit nicht benutzt wurde, sollten Sie die folgenden Schritte befolgen, um die inneren Rohre der Maschine zu spülen und aufzuwärmen.

- 1.Überprüfen und stellen Sie sicher, dass alle Zubehörteile vollständig und nicht beschädigt sind.
- 2.Entfernen Sie den Gummistopfen am Wassertankgelenk, füllen Sie den Wassertank mit einer angemessenen Menge Wasser und installieren Sie den Wassertank wieder in die Maschine.
- 3.Richten Sie den Portafilter mit der Portafilterhalterung aus (in diesem Moment wird kein Kaffeepulver platziert) und drehen Sie den Portafilter gegen den Uhrzeigersinn, um ihn fest zu arretieren (platzieren Sie einen Ein- oder Doppeltassenfilter nach Bedarf).
- 4.Schließen Sie das Netzteil an und drücken Sie die ON/OFF-Taste, alle Lichter blinken einmal, und alle Tastenleuchten blinken in einer Form der Atmung, und die Symbole der einzelnen Tasse, doppelten Tasse, heißes Wasser, Dampf auf dem Bildschirm blinken (wenn die Skala weniger als 15L ist, leuchtet das Reinigungs-/Entkalkungssymbol einmal auf und geht dann aus); Wechseln Sie in den Vorheizmodus (Hinweis: Das Dampfsymbol auf dem Display ist im Standby-Modus ausgeschaltet).
- 5.Wenn das Vorwärmen beendet ist, leuchten alle Anzeigen auf (das Entkalkungs-/Reinigungssymbol ist ausgeschaltet, wenn die Waagenmenge 15L nicht erreicht), und die Maschine tritt in den Standby-Zustand. Alle Funktionen des Geräts können nun normal genutzt werden.
- 6.Drücken Sie die Heißwassertaste und eine angemessene Menge heißes Wasser fließt heraus (Bitte beachten Sie, dass das Dampfrohr mit der Ablaufwanne ausgerichtet sein sollte oder verwenden Sie eine Tasse, um Wasser zu sammeln, um Verbrennungen zu vermeiden).
- 7.Drücken Sie die Single-Cup- oder Double-Cup-Taste, um die Rohre in der Maschine zu reinigen. (Achten Sie darauf, dass Sie keine Körperteile ausstrecken, die zum Portafilter und Dampfrohr geschlossen sind, verwenden Sie eine Tasse, um das Wasser zu sammeln, um Verbrühungen zu vermeiden.) (Siehe den Vorgang des Kaffeezubereitens)

8. Leeren Sie das Wasser in der Tropfschale.

9. Reinigen Sie die abnehmbaren Teile der gesamten Maschine gründlich mit warmem Wasser.

## ● **BETRIEBSANLEITUNG**

### **Brühkaffee Funktion**

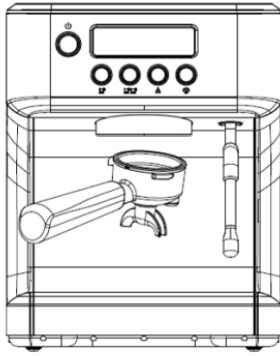
1. Brew Single-Tasse Kaffee: Im Standby-Modus installieren Sie den Single-Cup-Filter in den Portafilter, laden Sie etwa 13-Gramm Kaffeepulver, verwenden Sie den Kaffeestampfer und drücken Sie das Kaffeepulver mit einer Kraft von etwa 12.5Kg, dann richten Sie den Portafilter an der Portafilter-Halterung aus, drehen Sie den Portafilter gegen den Uhrzeigersinn, um es zu verriegeln. Die EIN/AUS-Tastenleuchte und die Einzelbecher-Tastenleuchte bleiben fest, und andere Anzeigen sind ausgeschaltet. Das Einzelbecher-Kaffeensymbol auf dem Display bleibt eingeschaltet, und andere Funktionssymbole schalten sich aus (wenn das Entkalkungssymbol 15L Durchflussrate erreicht, bleibt es eingeschaltet). Die Maschine beginnt, eine einzelne Tasse Kaffee zu brauen, und der Kalkulator auf dem Bildschirm beginnt in Sekunden zu zählen. Wenn die eingestellte Kaffeedosis (ca. 30ML) erreicht ist, stoppt die Pumpe und alle Anzeigen leuchten auf, und das Gerät wechselt in den Standby-Modus.

2. Brew Doppeltasse Kaffee: Im Standby-Modus installieren Sie den Doppeltassenfilter in den Portafilter, laden Sie etwa 19 Gramm Kaffeepulver, verwenden Sie den Kaffeestampfer und drücken Sie das Kaffeepulver mit einer Kraft von etwa 12.5Kg, dann richten Sie den Portafilter an der Portafilterhalterung aus, drehen Sie den Portafilter gegen den Uhrzeigersinn, um es zu verriegeln. Die EIN/AUS-Tastenleuchte und die Doppeltasse-Tastenleuchte bleiben fest, und andere Anzeigen sind ausgeschaltet. Das Doppeltasse-Kaffeensymbol auf dem Display bleibt eingeschaltet, und andere Funktionssymbole schalten sich aus (wenn das Entkalkungssymbol 15L Durchflussrate erreicht, bleibt es eingeschaltet). Die Maschine beginnt, doppelte Tasse Kaffee zu brauen, und der Kalkulator auf dem Bildschirm beginnt in Sekunden zu zählen. Wenn die eingestellte Kaffeedosis (ca. 60ML) erreicht ist, stoppt die Pumpe und alle Anzeigen leuchten und das Gerät schaltet sich in den Standby-Modus ein.

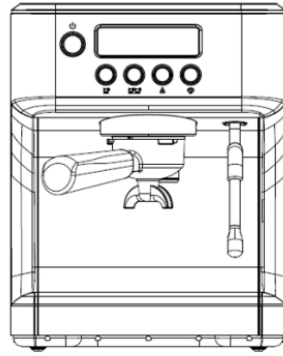
### **Vorschlag**

Es wird empfohlen, die Utensilien einschließlich Portafilter, Filter und Tasse vor der Kaffeeextraktion vorzuheizen, damit der Kaffee nicht durch kühle Teile beeinträchtigt wird. Die spezifische Methode der Vorwärmung besteht darin, einen Filter in den Portafilter zu installieren, den Portafilter an der Portafilterhalterung auszurichten, eine Tasse auf die Tropfplatte zu setzen und dann die Ein- oder Doppeltasse-Taste zu drücken (siehe Vorgang des Kaffeezubereitens). Pulver nachfüllen, um Kaffee zu machen.

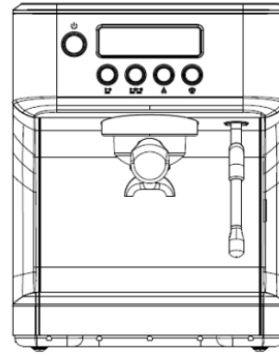
Hinweis: Achten Sie beim Kaffeekochen darauf, dass der Portafilter gegen den Uhrzeigersinn wie auf dem Bild unten gezeigt in die richtige Position geschraubt ist.



No.1



No.2



No.3

## Maßgeschneiderte Einstellung:

Sie können die spezifische Kaffeedosis entsprechend Ihren Bedürfnissen anpassen, Operation ist wie folgt:

Manuelle Einstellung der Kaffeemenge für eine Tasse: Halten Sie die Taste für eine Tasse gedrückt, die EIN/AUS-Tastenleuchte und die Anzeige für eine Tasse bleibt eingeschaltet und andere Anzeigen sind ausgeschaltet. Das Symbol für eine Tasse Kaffee auf dem Display bleibt eingeschaltet, und andere Funktionssymbole schalten sich aus (das Entkalkungssymbol bleibt eingeschaltet, wenn die Skalierungsmenge 15L erreicht). und die Maschine wechselt in den Einstellmodus der Menge an Single-Cup-Kaffee. Drücken Sie zu diesem Zeitpunkt erneut die Einschalttaste, die Einschalttaste blinkt und der Kaffee beginnt zu fließen. Drücken Sie die Taste erneut, wenn die gewünschte Menge erreicht ist, und die Maschine zeichnet die Kaffeedosis auf und die Einstellung ist beendet.

(einstellbare Kaffeemenge reicht zwischen 20ml-125ml).

Manuelle Einstellung der Menge an Doppeltasse Kaffee: Drücken und halten Sie die Doppeltasse-Taste, ON/OFF-Taste und Doppeltasse-Tastenleuchte gedrückt und andere Anzeigen sind ausgeschaltet. Das Doppeltasse-Kaffeefsymbol auf dem Display bleibt eingeschaltet, und andere Funktionssymbole schalten sich aus (das Entkalkungssymbol bleibt eingeschaltet, wenn die Skala 15L erreicht), und die Maschine wechselt in den Einstellmodus der Menge an doppelter Tasse Kaffee. Drücken Sie zu diesem Zeitpunkt erneut die Doppeltassentaste, die Doppeltassentaste blinkt und der Kaffee beginnt zu fließen. Drücken Sie die Doppeltassentaste erneut, wenn die gewünschte Menge erreicht ist, und die Maschine zeichnet die Kaffeedosis auf und die Einstellung ist beendet.

(einstellbare Kaffeemenge reicht zwischen 40ml-250ml).

## ● Dampffunktion:

1.Im Standby-Modus drücken Sie die Dampftaste vorsichtig, der Heizkessel beginnt vorzuwärmen, die ON/OFF-Taste leuchtet, die Dampftaste leuchtet wie Atmung, andere Anzeigen erlöschen. Das Dampfsymbol auf dem Display blinkt und andere Funktionssymbole schalten sich aus (das Entkalkungssymbol bleibt eingeschaltet, wenn die Skala 15L erreicht);



2. Wenn die Temperatur den eingestellten Wert erreicht, bleiben die ON/OFF-Tastenleuchte und die Dampftastenleuchte fest. Das Dampfsymbol auf dem Display bleibt eingeschaltet und andere Funktionssymbole schalten sich aus (das Entkalkungssymbol bleibt eingeschaltet, wenn die Skala 15L erreicht);

3. Drücken Sie die Dampftaste sanft, um die Maschine dampfen zu lassen, die EIN/AUS-Tastenleuchte bleibt fest, und die Dampftastenleuchte blinkt. Das Dampfsymbol auf dem Display bleibt eingeschaltet und andere Funktionssymbole schalten sich aus (das Entkalkungssymbol bleibt eingeschaltet, wenn die Skala 15L erreicht);

4. Um die Dampffunktion zu unterbrechen, drücken Sie während des Dampfens die Dampftaste. Dann leuchtet die ON/OFF-Taste und die Dampftaste leuchtet stabil. Das Dampfsymbol auf dem Display bleibt eingeschaltet und andere Funktionssymbole schalten sich aus (das Entkalkungssymbol bleibt eingeschaltet, wenn die Skala 15L erreicht); Wenn die Dampftaste erneut gedrückt wird, wird das Dampfen fortgesetzt;

5. Wenn Sie den Dampfmodus verlassen müssen, halten Sie bitte die Dampftaste gedrückt, damit die Maschine in den Standby-Zustand zurückkehren kann.

Anmerkungen:

1. Die Dampffunktion erzeugt Hochtemperaturdampf, achten Sie bitte darauf, Verbrühungen bei Verwendung zu vermeiden.

2. Die maximale Arbeitszeit einer einzelnen Dampffunktion beträgt 3 Minuten;

3. Um einen guten Schaumeffekt zu gewährleisten, lassen Sie den Dampf für 3-5 Sekunden laufen und drücken Sie dann die Dampftaste. Nachdem Sie die Dampffunktion angehalten haben, ziehen Sie den Dampfschlauch in die Milch und drücken Sie die Dampftaste, um die Milch aufzuschäumen.

## ● **Warmwasserfunktion**

Drücken Sie im Standby-Modus vorsichtig die Warmwassertaste, die EIN/AUS-Tastenleuchte und die Warmwassertastenleuchte sind immer eingeschaltet, die Ein-, Doppel- und Dampfanzeige sind ausgeschaltet. Das Heißwasser-Symbol auf dem Display bleibt eingeschaltet, und andere Funktionssymbole schalten sich aus (das Entkalkungssymbol bleibt eingeschaltet, wenn die Skalenmenge 15L erreicht), und die Warmwasserfunktion wird gestartet. Drücken Sie die Warmwassertaste erneut, um den Warmwassermodus zu verlassen, und die Maschine kehrt in den Standby-Zustand zurück.

Anmerkung:

1. Die Heißwasserfunktion erzeugt Hochtemperaturwasser, bereiten Sie bitte einen Behälter vor und legen Sie ihn unter den Dampfrohrauslass, um Verbrennungen zu vermeiden.

2. Die maximale Arbeitszeit einer einzelnen Warmwasserfunktion beträgt 1 Minuten.

## ● **Maßgeschneiderte Einstellung für die Kaffeeextraktionstemperatur**

Diese Maschine hat PID-Steuerfunktion, die den Heizkessel überwachen kann, um heißes Wasser zu erhitzen, so dass der Kaffee bei einer Temperatur von 92°C extrahiert wird. Sie können die

Extraktionstemperatur des Kaffees von 92-96°C einstellen und jedes Mal um 2°C ansteigen, um unterschiedliche Geschmacksanforderungen zu erfüllen.

-Je höher die Temperatur, desto Bitterkeit und Säure sinken.

-Je niedriger die Temperatur, desto Bitterkeit und Säure steigen.

Zur Anpassung des Extraktionstemperaturmodus wechseln:

1. Drücken und halten Sie die ON/OFF-Taste für drei Sekunden gedrückt, die ON/OFF-Tastenleuchte blinkt, die der aktuellen Temperatur entsprechende Tastenleuchte ist immer eingeschaltet, und alle Funktionssymbole auf dem Bildschirm sind ausgeschaltet (das Entkalkungssymbol bleibt eingeschaltet, wenn die Skala 15L erreicht), und der Kalkulagraph zeigt die aktuell eingestellte Temperatur an und die Kaffeemaschine tritt in den benutzerdefinierten Einstellungsmodus, und die Operation ist wie folgt:

Drücken Sie die Einzelschalen-Taste, ist das Einzelschalen-Knopflicht immer eingeschaltet, die Extraktionstemperatur wird auf 90°C eingestellt;

Drücken Sie die Doppel-Cup-Taste, das Doppel-Cup-Knopflicht ist immer eingeschaltet, die Extraktionstemperatur wird auf 92°C eingestellt;

Drücken Sie die Heißwassertaste, das Heißwassertastenlicht ist immer eingeschaltet, die Extraktionstemperatur wird auf 94°C eingestellt;

Drücken Sie die Dampftaste, das Dampftastenlicht ist immer eingeschaltet, die Extraktionstemperatur wird auf 96°C eingestellt;

2. Nach Einstellung der Extraktionstemperatur drücken Sie die ON/OFF-Taste, um die aktuellen Einstellungen zu speichern, und die Maschine kehrt in den Standby-Zustand zurück.

Hinweis: Die Standardextraktionstemperatur der Maschine ist 92°C.

## ● Erinnerung an Wasserknappheit

Wenn der Wasserbehälter knapp ist, ist ein "Piep"-Ton zu hören, die EIN/AUS-Anzeige bleibt fest, die Ein-/Ausschalter-/Doppelbecher-Anzeige, Dampfanzeige und Heißwasseranzeige blinken gleichzeitig, und alle Funktionssymbole auf dem Display sind ausgeschaltet (das Entkalkungssymbol bleibt eingeschaltet, wenn die Waagemenge 15L erreicht) und die Pumpe arbeitet nicht mehr, um den Benutzer daran zu erinnern.

Anmerkung:

1. Die obige Aufforderung erscheint auch, wenn feineres Kaffeepulver verwendet wird, das verhindert, dass Kaffee austritt;

2. Wenn es keine Operation gibt, nachdem die Erinnerung eine Minute erscheint oder eine Taste gedrückt hat, tritt die Maschine in den Standby-Zustand

### ● **Automatisches Abschalten**

Wenn die Maschine nichtinnerhalb von 20-Minuten im Standby-Modus arbeitet, tritt sie automatisch in den Abschaltzustand.

### ● **Werkseinstellungen wiederherstellen**

Halten Sie im Standby-Modus die ON/OFF-Taste und die Warmwassertaste für mehr als drei Sekunden gedrückt. Alle Anzeigen blinken einmal zusammen, und ein "Piep"-Ton ist zu hören, und die Maschine wird auf Werkseinstellungen zurückgesetzt und in den Standby-Modus zurückkehren.

Hinweis: Durch Zurücksetzen auf Werkseinstellungen wird die Entkalkungszahl nicht gelöscht. Die Entkalkungszahl kann erst nach Abschluss der Entkalkungsfunktion gelöscht werden.

## **DESCALEN**

Dieses Produkt hat eine Entkalkungs-Erinnerung: Wenn der gesamte Wasserverbrauch der Maschine 15L erreicht, erinnert die Maschine an Entkalkung, alle Tastenleuchten blinken 3-mal und ein "Piep" ertönt 3-mal, und die Reinigungs-/Entkalkungsanzeige bleibt stabil und erinnert den Benutzer daran, eine Entkalkung durchzuführen.

Anweisungen zum Entkalken

Es wird empfohlen, alle 4-6 Monate eine Entkalkung durchzuführen.

Entkalkung kann gewählt werden:

A.Kaffeemaschine Entkalkungstabletten

B.Flüssiger Entkalker

C.Weißer Essig und warmes Wasser

Entkalkungszyklus

Der Entkalkungszyklus dauert etwa acht Minuten.

Anmerkung:

Bitte führen Sie die folgenden Entkalkungsvorbereitungen durch, bevor Sie das Entkalkungsprogramm

ausführen;

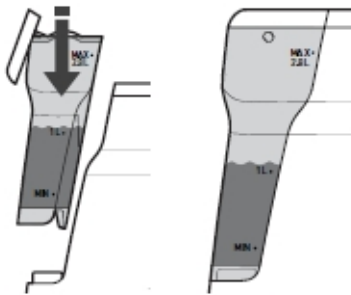
Fügen Sie die Lösung in den Wassertank (wählen Sie eine der folgenden drei Methoden)

A. Füllen Sie den Wassertank mit einem Liter Wasser. Fügen Sie die Entkalkungstabletten hinzu und warten Sie, bis sich die Entkalkungstabletten aufgelöst haben;

B. Fügen Sie eine halbe Tasse flüssiges Entkalkungsmittel in den Wassertank und fügen Sie dann 1-Liter warmes Wasser hinzu, um die Lösung gründlich mischen zu lassen;

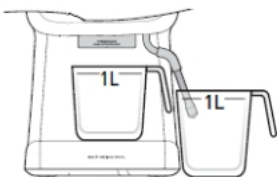
C. Fügen Sie 1,5 Löffel weißen Essig in den Wasserbehälter und fügen Sie dann 1-Liter warmes Wasser hinzu, damit die Lösung gründlich mischen kann

### **Setzen Sie den Wassertank ein**



### **Einen Behälter platzieren**

Legen Sie einen 1-Liter-Behälter unter den Brühkopf und einen weiteren 1-Liter-Behälter unter das Dampfrohr.



### **Nach Abschluss der oben genannten Schritte kann der Entkalkungsvorgang wie folgt gestartet werden:**

Halten Sie im Standby-Modus die Doppeltaschentaste und die Dampftaste länger als drei Sekunden gedrückt, um in den Entkalkungsmodus zu gelangen. Die EIN/AUS-Taste ist immer eingeschaltet, die Doppeltaschentastenleuchte und die Dampftastenleuchte blinken und andere Anzeigen erlöschen. Nur das Symbol "DESCALE" wird auf dem Display angezeigt und die Pumpe beginnt zu arbeiten.

Beim Entkalken fließt das heiße Wasser zunächst aus dem Braukopf und dauert etwa zwei Minuten. Dann fließt es für etwa zwei Minuten aus dem Dampfrohr; Dann fließt es aus dem Kesselkopf und dauert etwa zwei Minuten; Schließlich fließt es etwa zwei Minuten aus dem Dampfrohr und der gesamte Entkalkungsprozess dauert etwa acht Minuten. Nach Abschluss der Entkalkung wird die Maschine automatisch in den Standby-Modus zurückgeführt und die Entkalkungszahl wird gelöscht.

Während des Entkalkungsvorgangs können Sie die Doppel- oder Dampftaste drücken, um den Entkalkungsmodus zu verlassen.

## REINIGUNG UND WARTUNG

**ACHTUNG:** Bitte ziehen Sie vor der Reinigung den Netzstecker ab, damit die Kaffeemaschine ausreichend abkühlen kann, um Verbrühungen zu vermeiden. Tauchen Sie die Kaffeemaschine oder den Netzstecker nicht in Wasser oder andere Flüssigkeiten, um Gefahren zu vermeiden.

### 1. Reinigen Sie die ganze Maschine

(1) Nach jedem Gebrauch alle abnehmbaren Teile zum Reinigen in Wasser geben, gegebenenfalls Reinigungsflüssigkeit hinzufügen und dann mit sauberem Wasser abspülen.

(2) Verwenden Sie oft einen feuchtigkeitsdichten Schwamm, um die äußere Oberfläche der Kaffeemaschine zu schrubben, um Schmutz zu entfernen.

Hinweis: Verwenden Sie keinen Alkohol oder Reinigungsmittel und tauchen Sie das Gerät nicht zur Reinigung in Wasser ein.

(3) Drehen Sie im Uhrzeigersinn, um den Metalltrichter zu entfernen, um den Kaffeesatz zu entfernen, dann können Sie ein Reinigungsmittel verwenden, um den Trichter und das Metallfilterzubehör zu reinigen, aber Sie müssen sie danach mit sauberem Wasser abspülen.

(4) Nachdem Sie alle abnehmbaren Teile gereinigt haben, wischen Sie alle Teile zum Trocknen ab.

Hinweis: Der abnehmbare Wassertank und der Metalltrichter können nicht in der Spülmaschine gewaschen werden.

## PROBLEMSCHUTZ

Fehlfunktion	Grund	Lösung
Keine Angabe	Überprüfen Sie, ob der Stecker an Ort und Stelle ist und die Netztaaste gedrückt ist	Stecken Sie den Netzstecker ein, stellen Sie sicher, dass Sie die Netztaaste drücken
Es gibt Wasserspuren an der Unterseite der Maschine	Der Wassertank oder die Wasserwanne ist nicht installiert/Die Tropfwanne ist voll	Stellen Sie sicher, dass der Wassertank und die Tropfwanne an Ort und Stelle installiert sind und die Tropfwanne leer ist.

		Wenn das Problem nicht gelöst wird, zerlegen Sie die Maschine bitte nicht selbst, sondern senden Sie sie zur Reparatur an das örtliche autorisierte Wartungszentrum
Kein Kaffee kommt aus dem Portafilter, oder Kaffee kommt nicht reibungslos aus dem Portafilter, oder der Portafilter kann nicht ordnungsgemäß in der Portafilterhalterung installiert werden	Zu viel Kaffeepulver, zu feines Kaffeepulver oder übermäßiger Druck	Die Menge des Pulvers sollte den Standard nicht überschreiten. Stellen Sie die Mahlstufe des Mahlwerks entsprechend ein, bis sie geeignet ist. Es sollte nicht wiederholt mit übermäßiger Kraft gedrückt werden, wenn das Pulver gedrückt wird
Kaffee ohne Crema	Die Kaffeebohnen sind feucht oder das Kaffeepulver ist zu grob	Wählen Sie frische Kaffeebohnen und Pulver mit moderater Mahldicke, um Kaffee zu machen
Kein Dampf	Die Dampffunktion ist nicht vorgeheizt; die Dampfdüse ist blockiert	Die Maschine kann nur Dampf produzieren, nachdem die Maschine im Dampfmodus vorgewärmt ist; Die Maschine muss entkalkt werden und mit einer Reinigungsnadel die Dampfdüse reinigen
Die Maschine kann keinen Kaffee oder heißes Wasser sofort machen, nachdem der Dampf austritt und die Maschine pumpt Wasser automatisch	Nach dem Dämpfen muss der Druck freigegeben werden, um die Temperatur zu senken. Zu diesem Zeitpunkt können andere Operationen nicht ausgeführt werden. Das Wasserpumpen soll das Heizelement schnell abkühlen	Es dauert 20-30s, um den Druck zu lösen und abzukühlen. Nach dem Druckentlassungs- und Abkühlvorgang werden die Anzeigen auf dem Bedienfeld richtig angezeigt, Sie können Kaffee und heißes Wasser brauen

**Wenn Sie die Ursache des Problems nicht finden, zerlegen Sie die Maschine bitte nicht selbst und wenden Sie sich an Ihre örtliche Wartungsagentur.**

## UMWELTSCHUTZ



Sie können dazu beitragen, die Umwelt zu schützen!

Strenge Einhaltung der Vorschriften: Bitte entsorgen Sie die entsorgten Elektrogeräte zur Entsorgung in die entsprechende Abfallstation.

